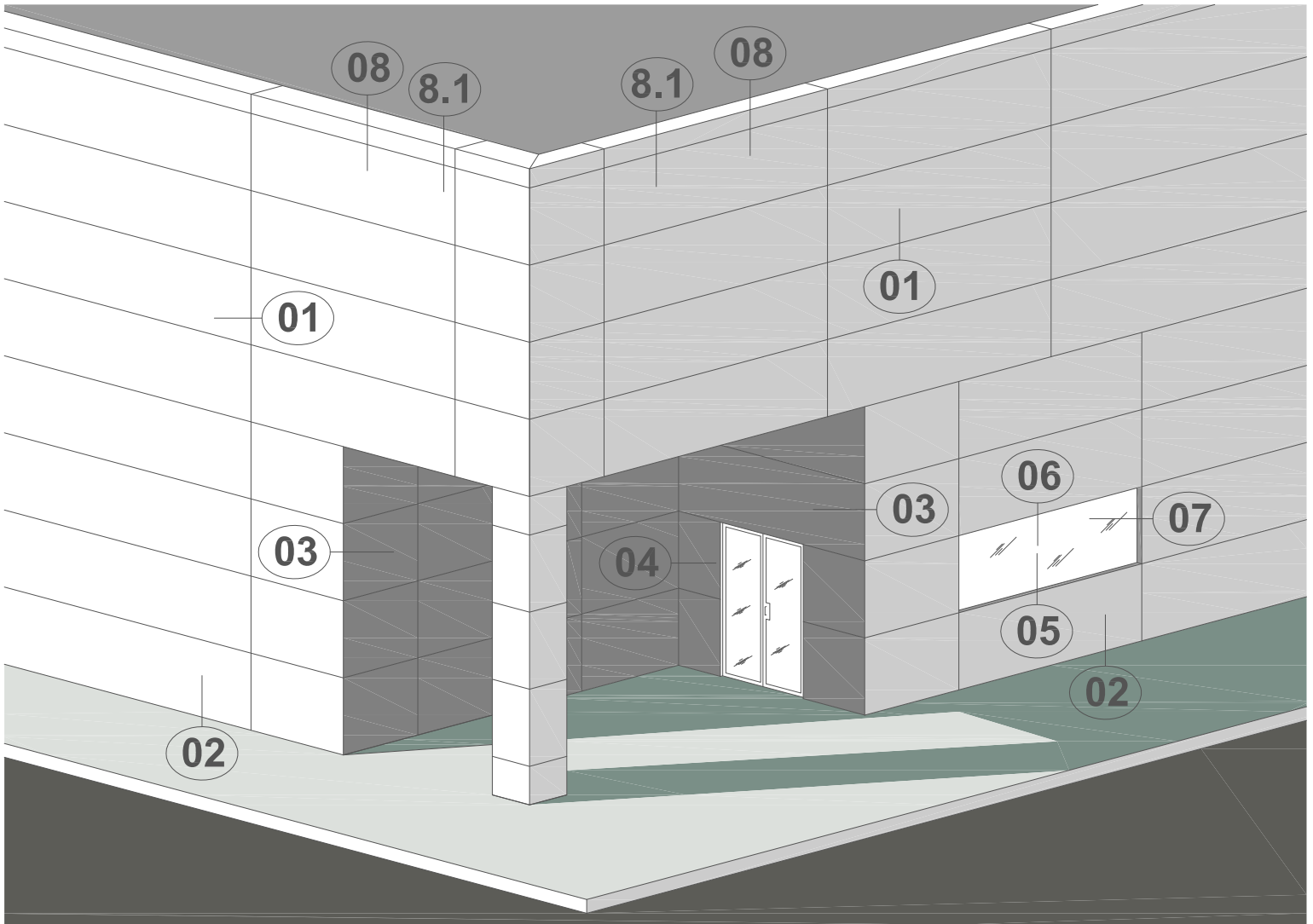


SERIES 30 SYSTEM



KEY ELEVATION

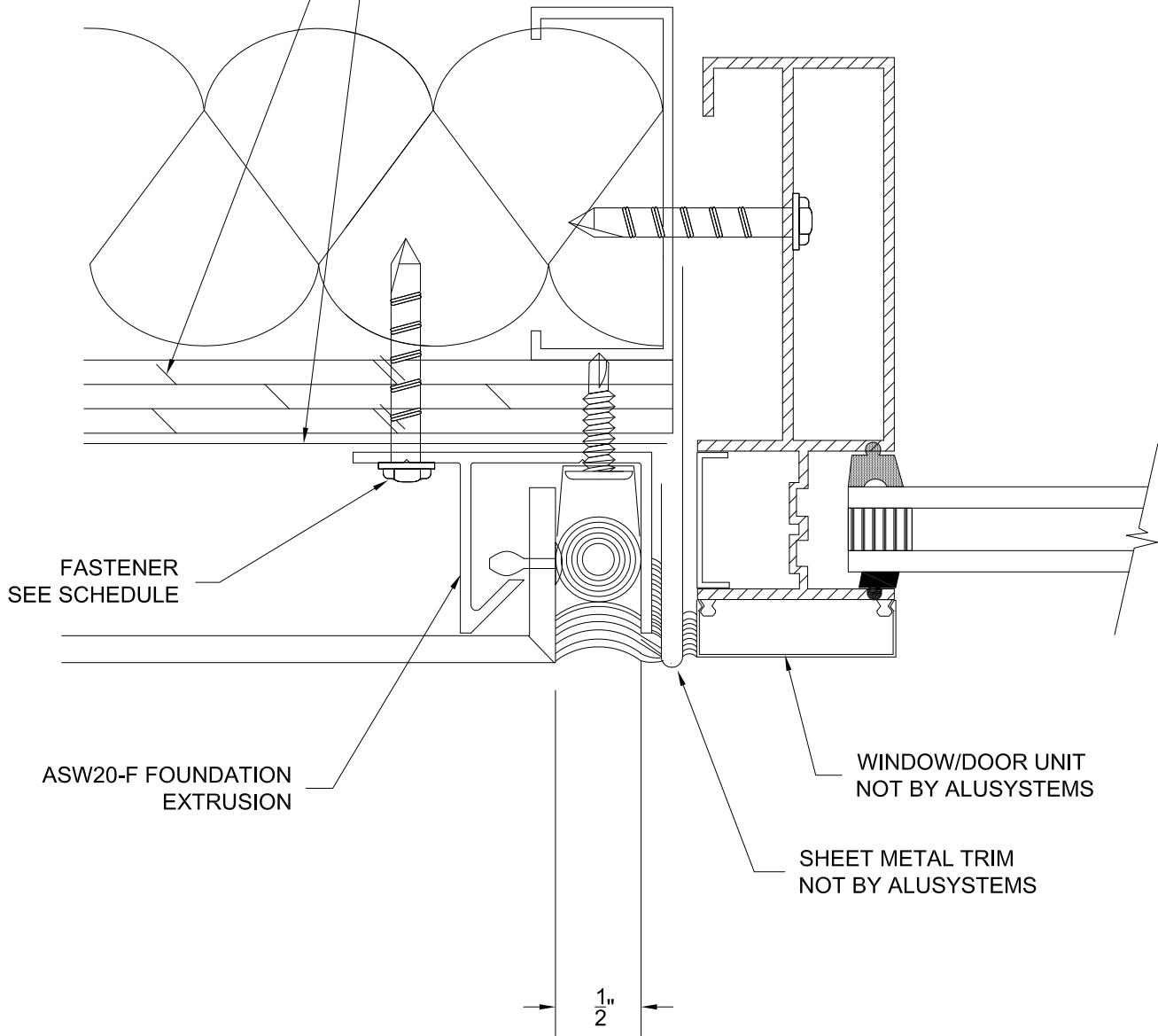
Series 30 Wet Seal
Aluminum Composite
Wall Panel System

- ① Typical Panel Joint
- ② Foundation/Curb Detail
- ③ Outside Corner Detail
- ④ Inside Corner Detail
- ⑤ Window Sill Detail
- ⑥ Window/Door Head
- ⑦ Window/Door Jamb
- ⑧ Standard Parapet Detail
- 8.1 Alternate Parapet Detail

EXTERIOR GRADE PLY-
WOOD SHEATHING
(BY OTHERS)

AIR/MOISTURE MEMBRANE
NOT BY ALUSYSTEMS

WINDOW OR DOOR
CONFIGURATION SHOWN
IS FOR ILLUSTRATION
PURPOSES ONLY.



DATE:
07/11/2013

TITLE:
SYSTEM 30 WET SEAL - WINDOW/DOOR JAMB DETAIL

DWG. NO.
S30-07

SCALE:
FULL SCALE

ALUSYSTEMS