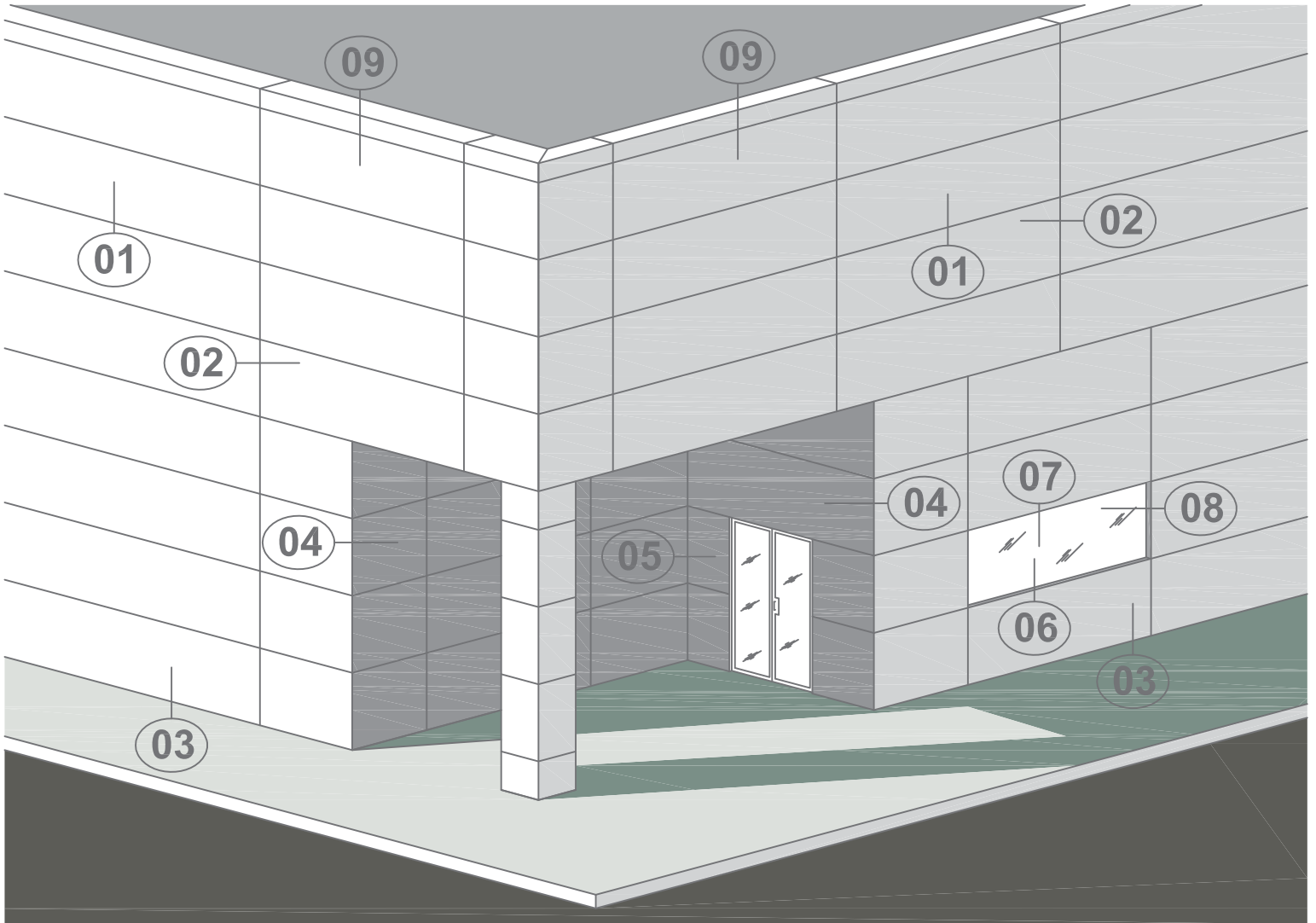


## SERIES 40 SYSTEM

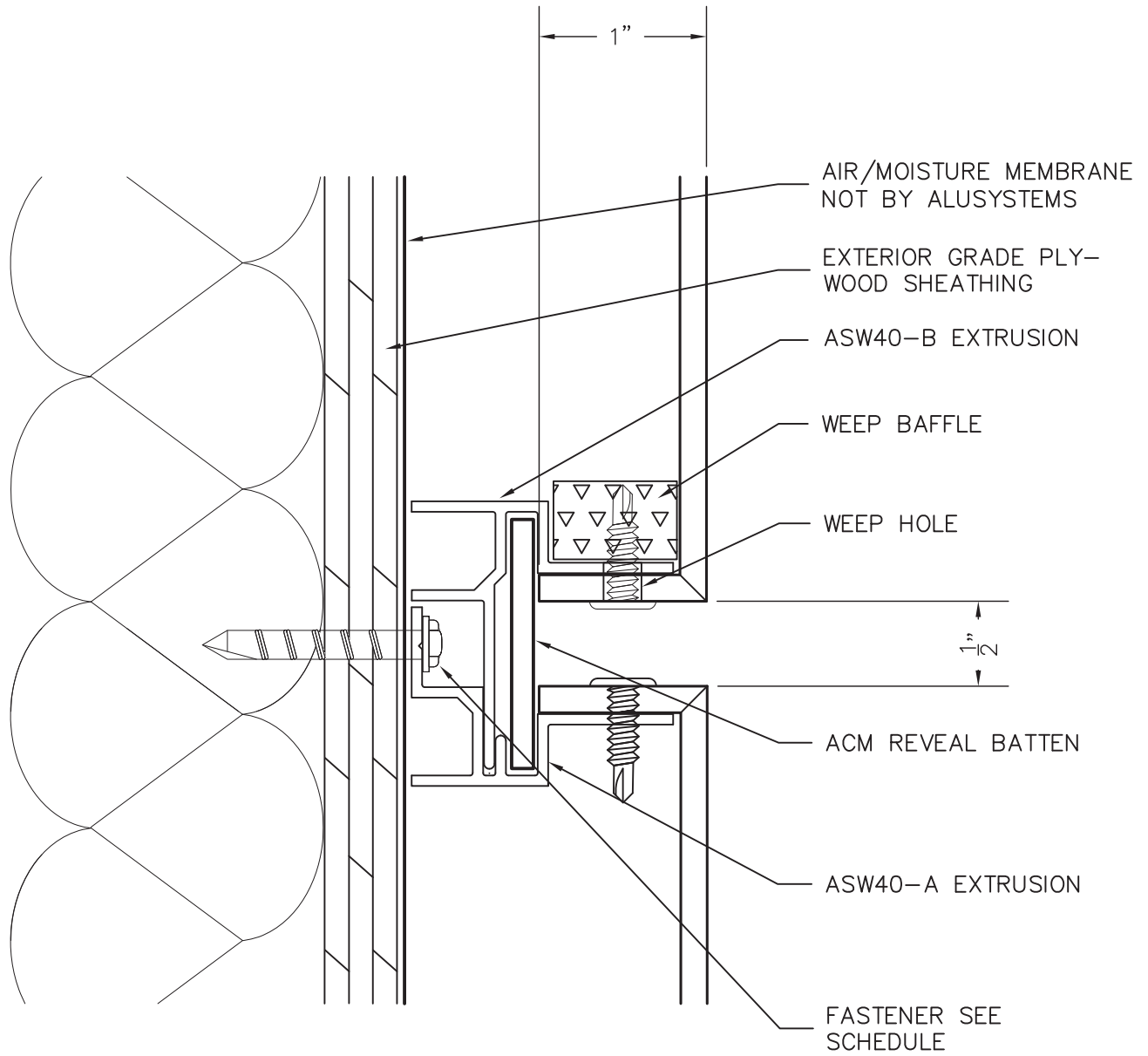


### KEY ELEVATION

## ALUSYSTEMS

Series 40 Rain Screen  
Aluminum Composite  
Wall Panel System

- ① Horizontal Panel Joint
- ② Vertical Panel Joint
- ③ Foundation/Curb Detail
- ④ Outside Corner Detail
- ⑤ Inside Corner Detail
- ⑥ Window/Door Sill
- ⑦ Window/Door head
- ⑧ Window/Door Jamb
- ⑨ Standard Parapet Detail



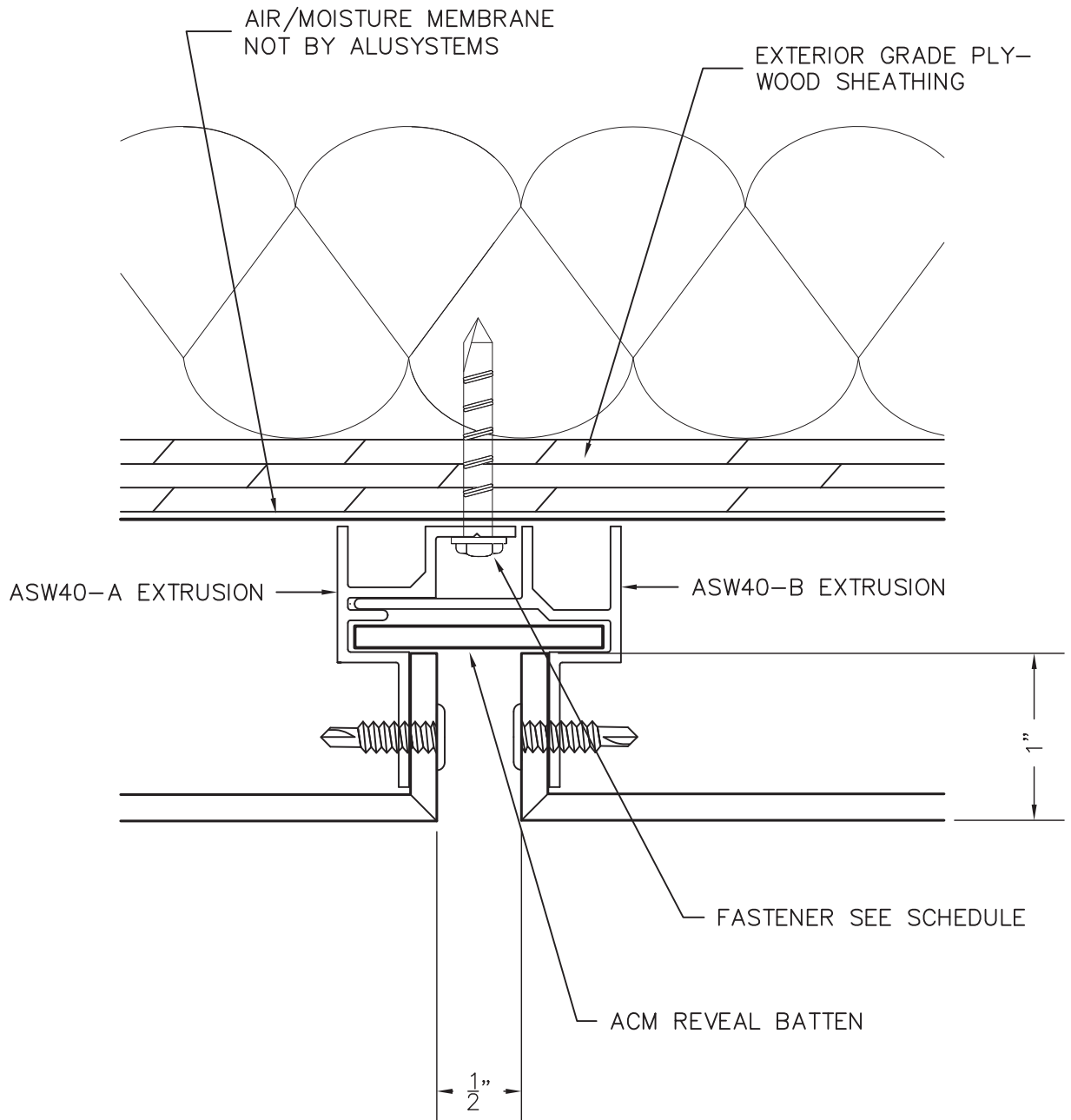
DATE:  
10/31/2012

TITLE:  
SYSTEM 40 RAIN SCREEN - HORIZONTAL JOINT

DWG. NO.  
S40-01

SCALE:  
FULL SCALE

**ALUSYSTEMS**



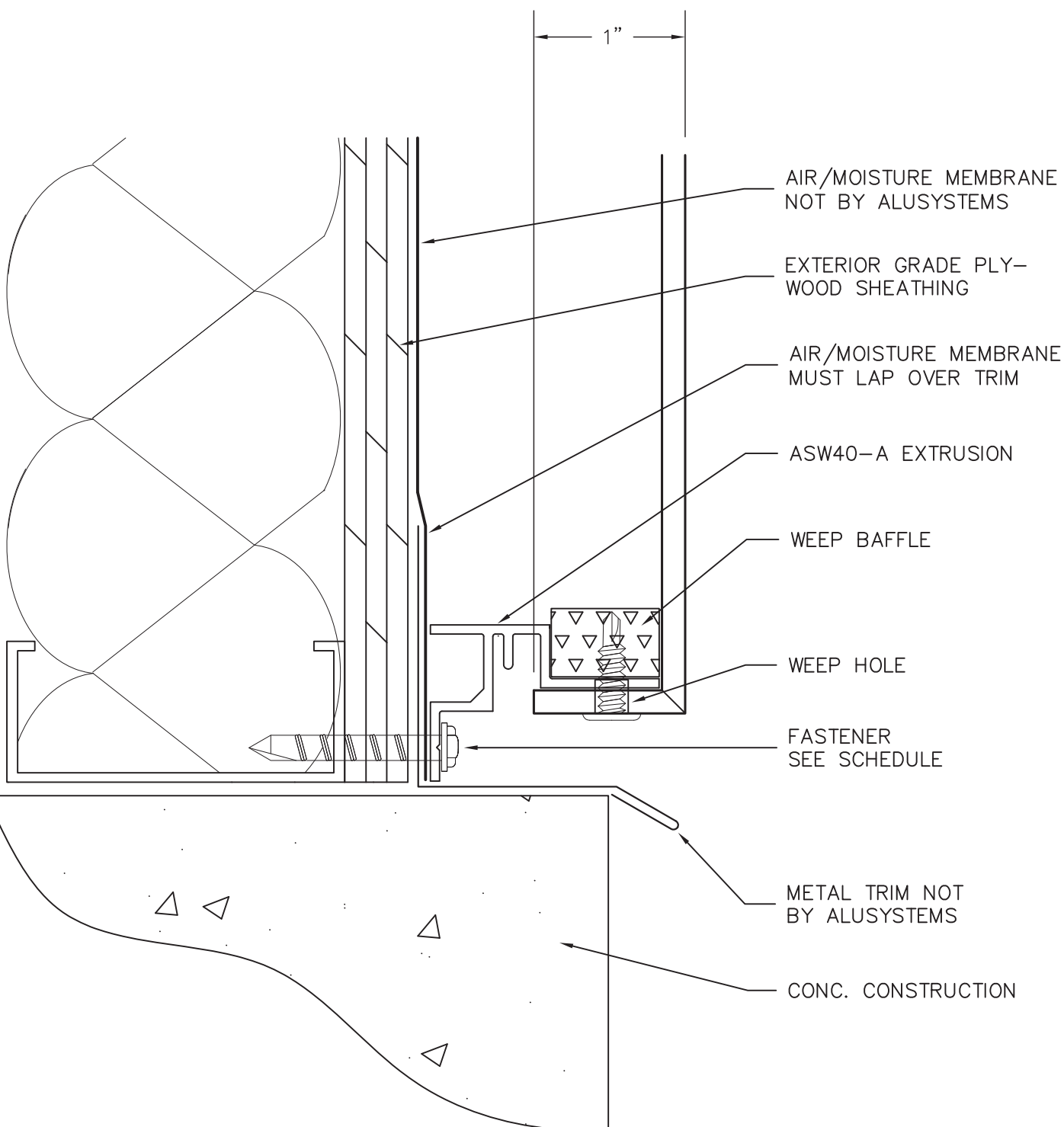
DATE:  
10/31/2012

TITLE:  
SYSTEM 40 RAIN SCREEN – VERTICAL JOINT

DWG. NO.  
S40-02

SCALE:  
FULL SCALE

**ALUSYSTEMS**



AIR/MOISTURE MEMBRANE  
NOT BY ALUSYSTEMS

EXTERIOR GRADE PLY-  
WOOD SHEATHING

AIR/MOISTURE MEMBRANE  
MUST LAP OVER TRIM

ASW40-A EXTRUSION

WEEP BAFFLE

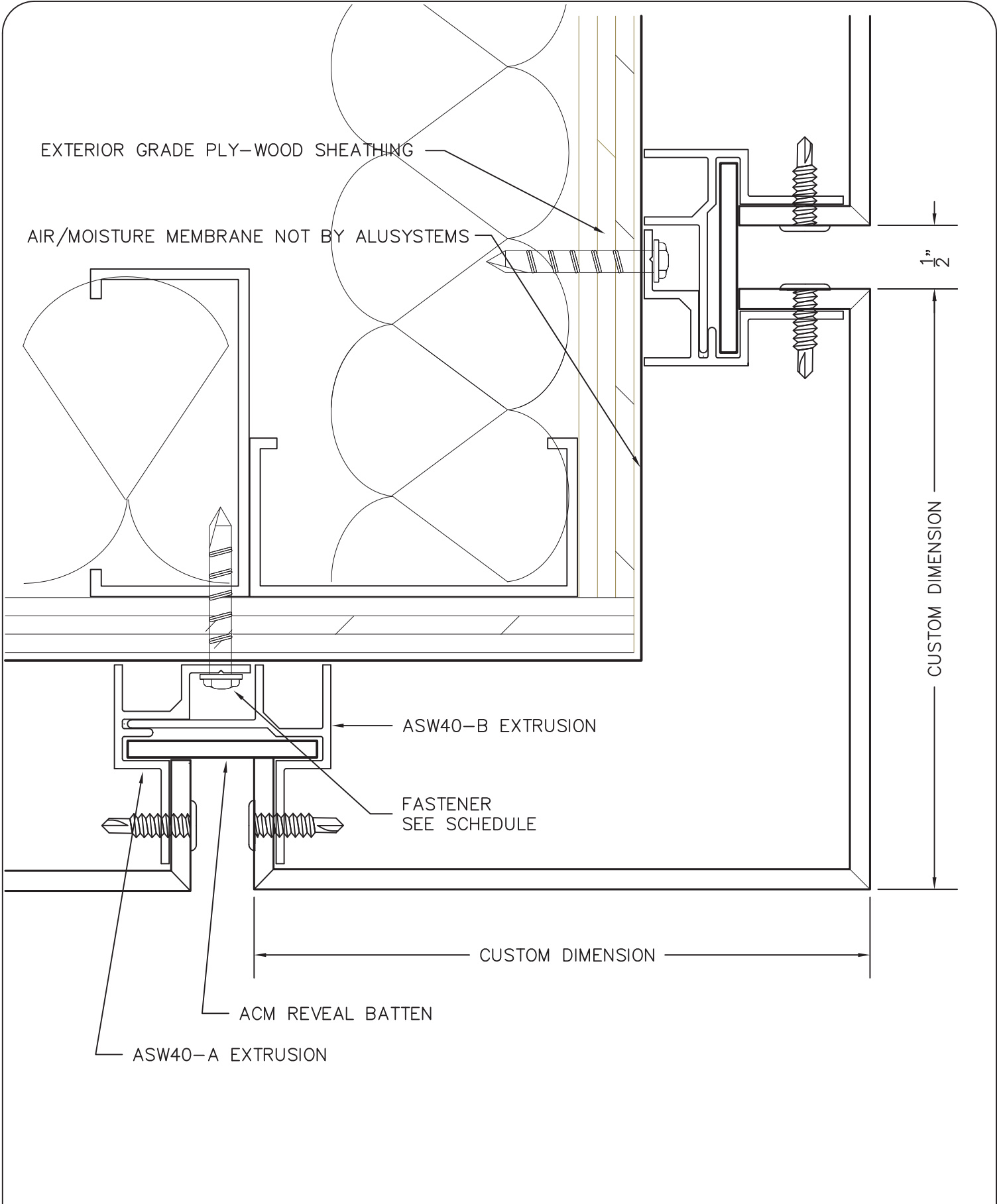
WEEP HOLE

FASTENER  
SEE SCHEDULE

METAL TRIM NOT  
BY ALUSYSTEMS

CONC. CONSTRUCTION

DATE: 10/31/2012	TITLE: SYSTEM 40 RAIN SCREEN – FOUNDATION/CURB DETAIL	
DWG. NO. S40-03	SCALE: FULL SCALE	



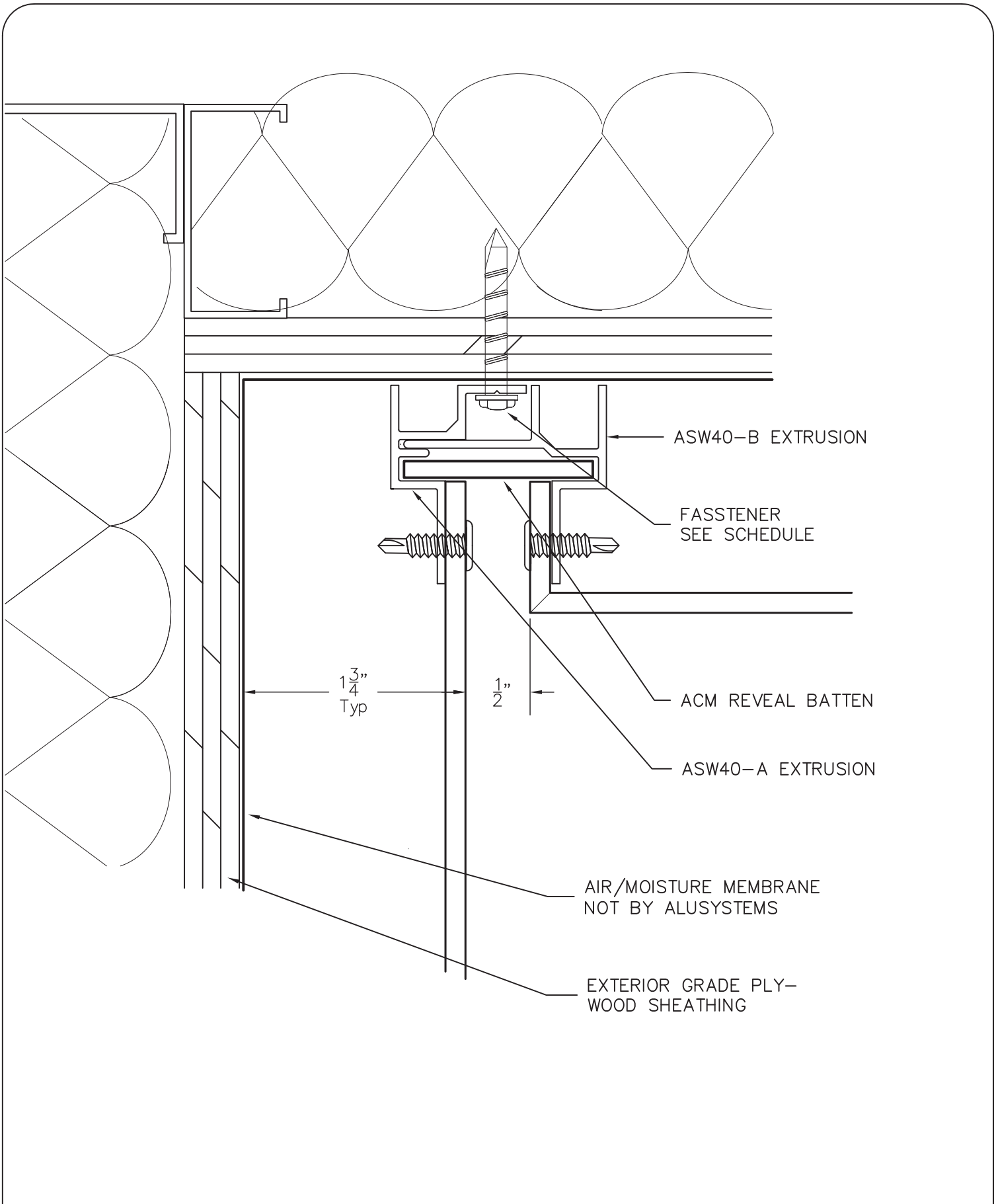
DATE:  
10/31/2012

TITLE:  
SYSTEM 40 RAIN SCREEN – TYP. OUTSIDE CORNER DETAIL

DWG. NO.  
S40-04

SCALE:  
FULL SCALE

**ALUSYSTEMS**



ASW40-B EXTRUSION

FASSTENER  
SEE SCHEDULE

ACM REVEAL BATTEN

ASW40-A EXTRUSION

1 3/4"  
Typ

1/2"

AIR/MOISTURE MEMBRANE  
NOT BY ALUSYSTEMS

EXTERIOR GRADE PLY-  
WOOD SHEATHING

DATE:  
10/31/2012

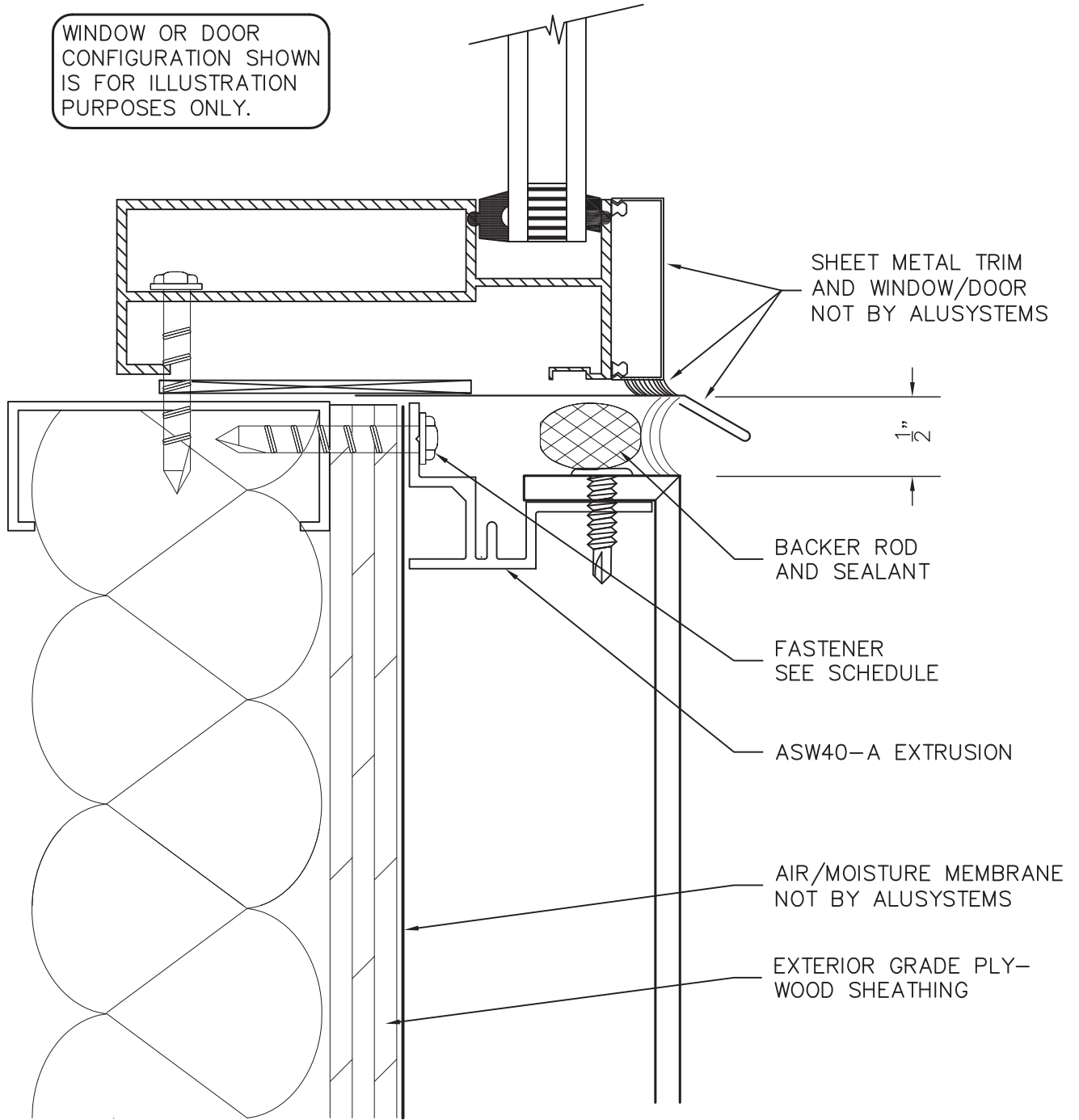
TITLE:  
SYSTEM 40 RAIN SCREEN - TYP. INSIDE CORNER DETAIL

DWG. NO.  
S40-05

SCALE:  
FULL SCALE

**ALUSYSTEMS**

WINDOW OR DOOR  
CONFIGURATION SHOWN  
IS FOR ILLUSTRATION  
PURPOSES ONLY.



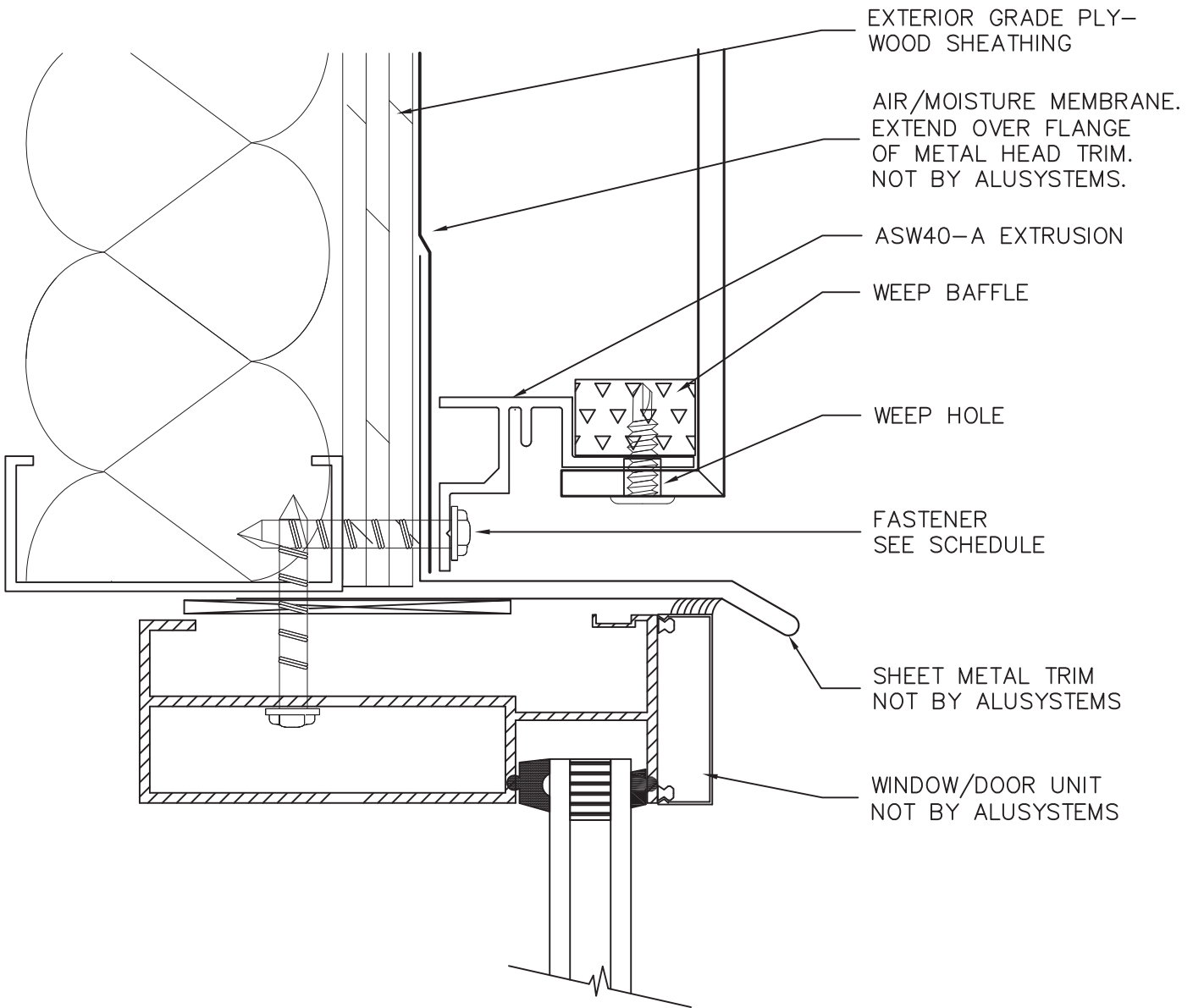
DATE:  
10/31/2012

TITLE:  
SYSTEM 40 RAIN SCREEN – WINDOW/DOOR SILL DETAIL

DWG. NO.  
S40-06

SCALE:  
FULL SCALE

**ALUSYSTEMS**



WINDOW OR DOOR  
CONFIGURATION SHOWN  
IS FOR ILLUSTRATION  
PURPOSES ONLY.

DATE:  
10/31/2012

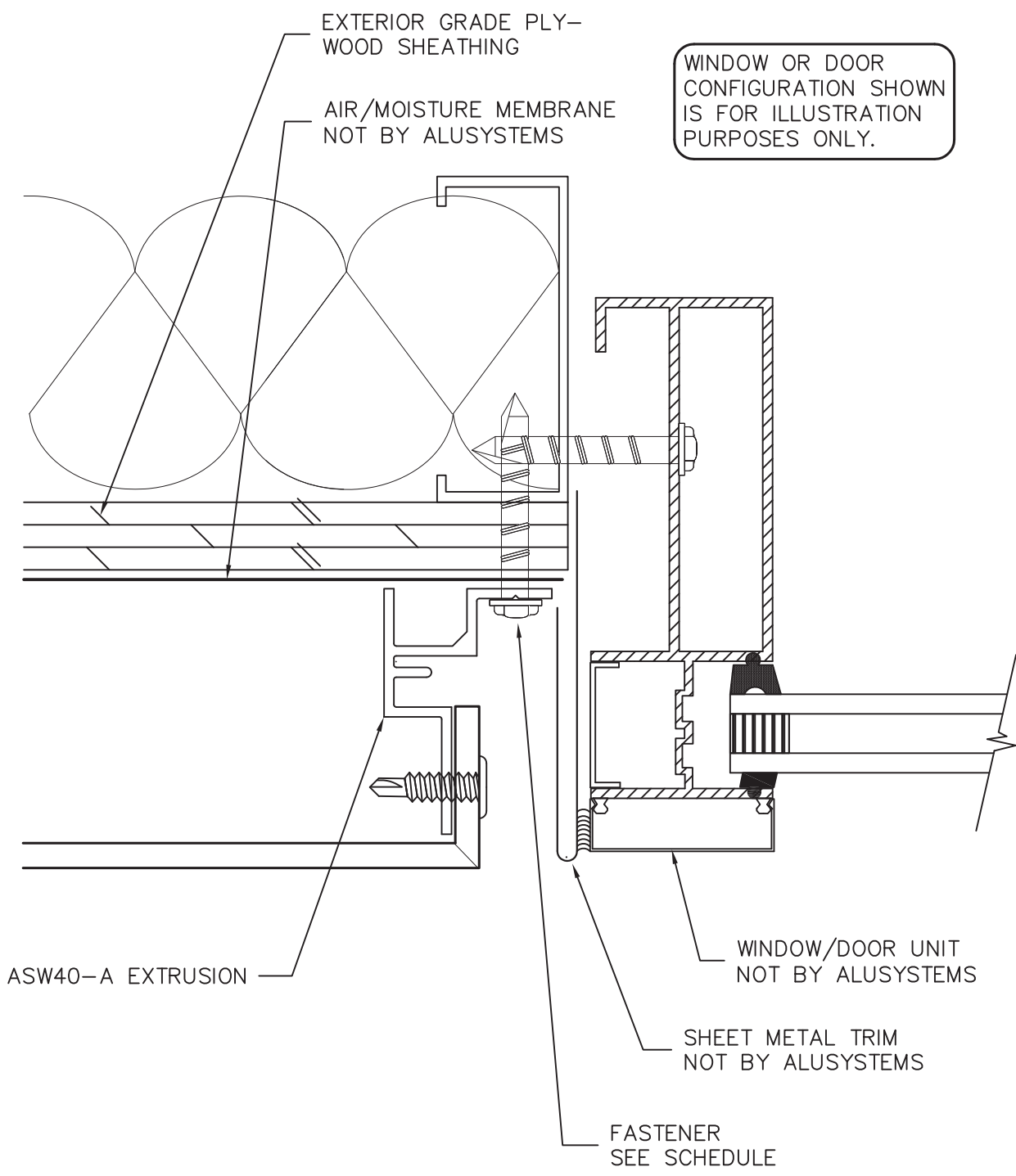
TITLE:  
SYSTEM 40 RAIN SCREEN – WINDOW/DOOR HEAD DETAIL

DWG. NO.  
S40-07

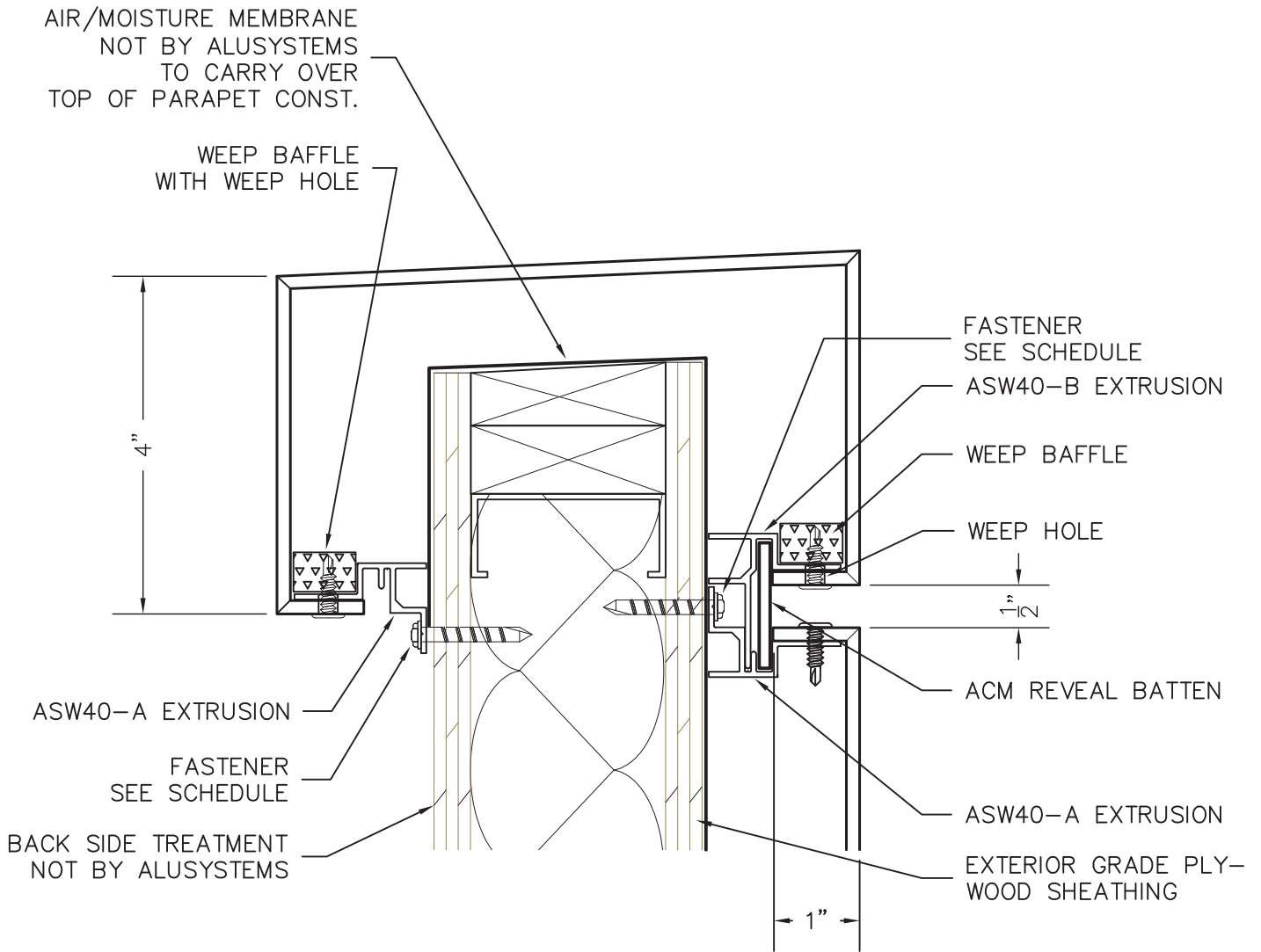
SCALE:  
FULL SCALE

**ALUSYSTEMS**





DATE: 10/31/2012	TITLE: SYSTEM 40 RAIN SCREEN – WINDOW/DOOR JAMB DETAIL	
DWG. NO. S40-08	SCALE: FULL SCALE	<b>ALUSYSTEMS</b>



DATE:  
10/31/2012

TITLE:  
SYSTEM 40 RAIN SCREEN – STANDARD PARAPET DETAIL

DWG. NO.  
S40-09

SCALE:  
HALF SCALE

**ALUSYSTEMS**