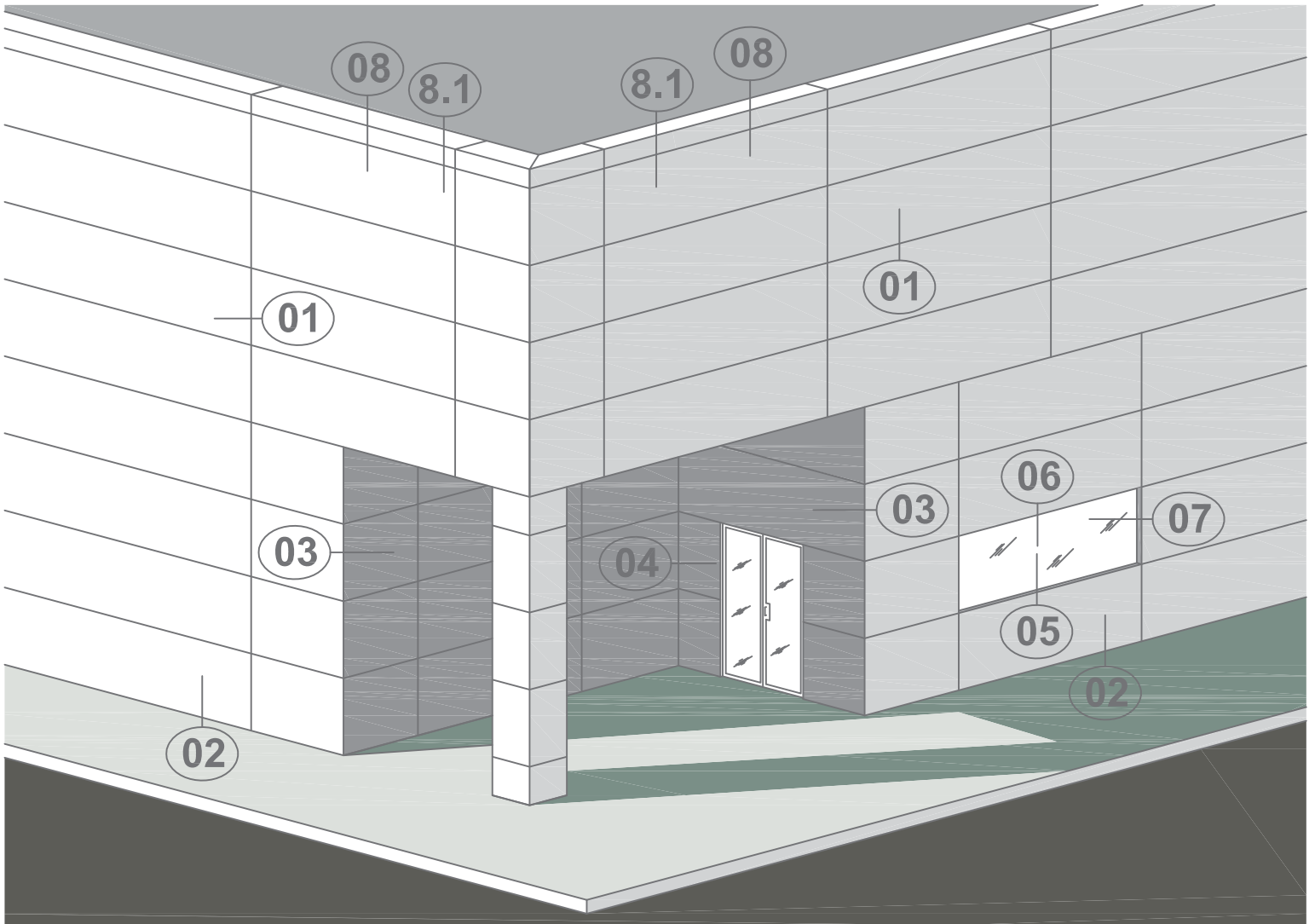


## SERIES 10 SYSTEM

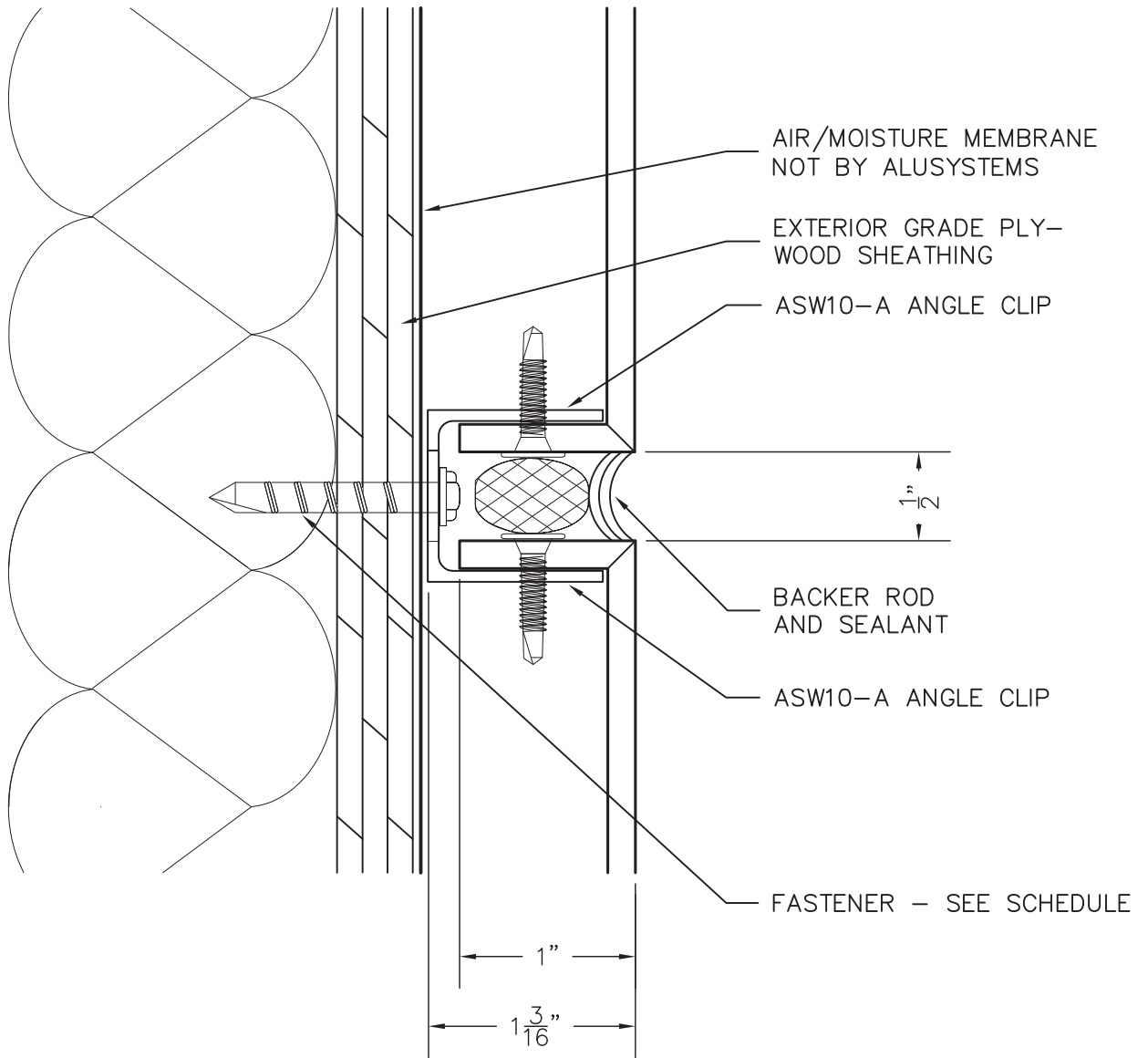


### KEY ELEVATION

## ALUSYSTEMS

Series 10 Wet Seal  
Aluminum Composite  
Wall Panel System

- ① Typical Panel Joint
- ② Foundation/Curb Detail
- ③ Outside Corner Detail
- ④ Inside Corner Detail
- ⑤ Window Sill Detail
- ⑥ Window/Door Head
- ⑦ Window/Door Jamb
- ⑧ Standard Parapet Detail
- 8.1 Alternate Parapet Detail



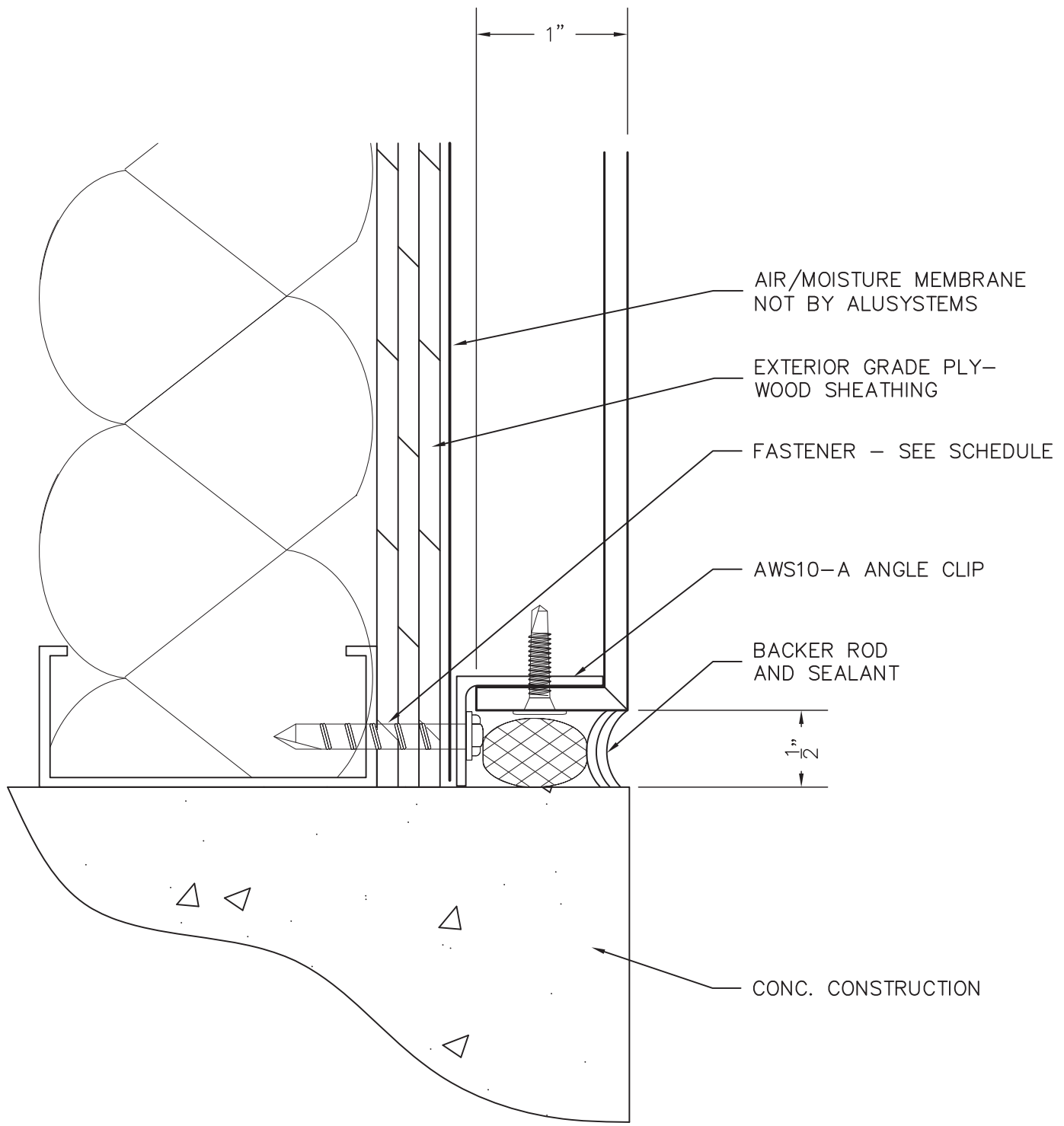
DATE:  
10/31/2012

TITLE:  
SYSTEM 10 WET SEAL - TYPICAL JOINT

DWG. NO.  
S10-01

SCALE:  
FULL SCALE

**ALUSYSTEMS**



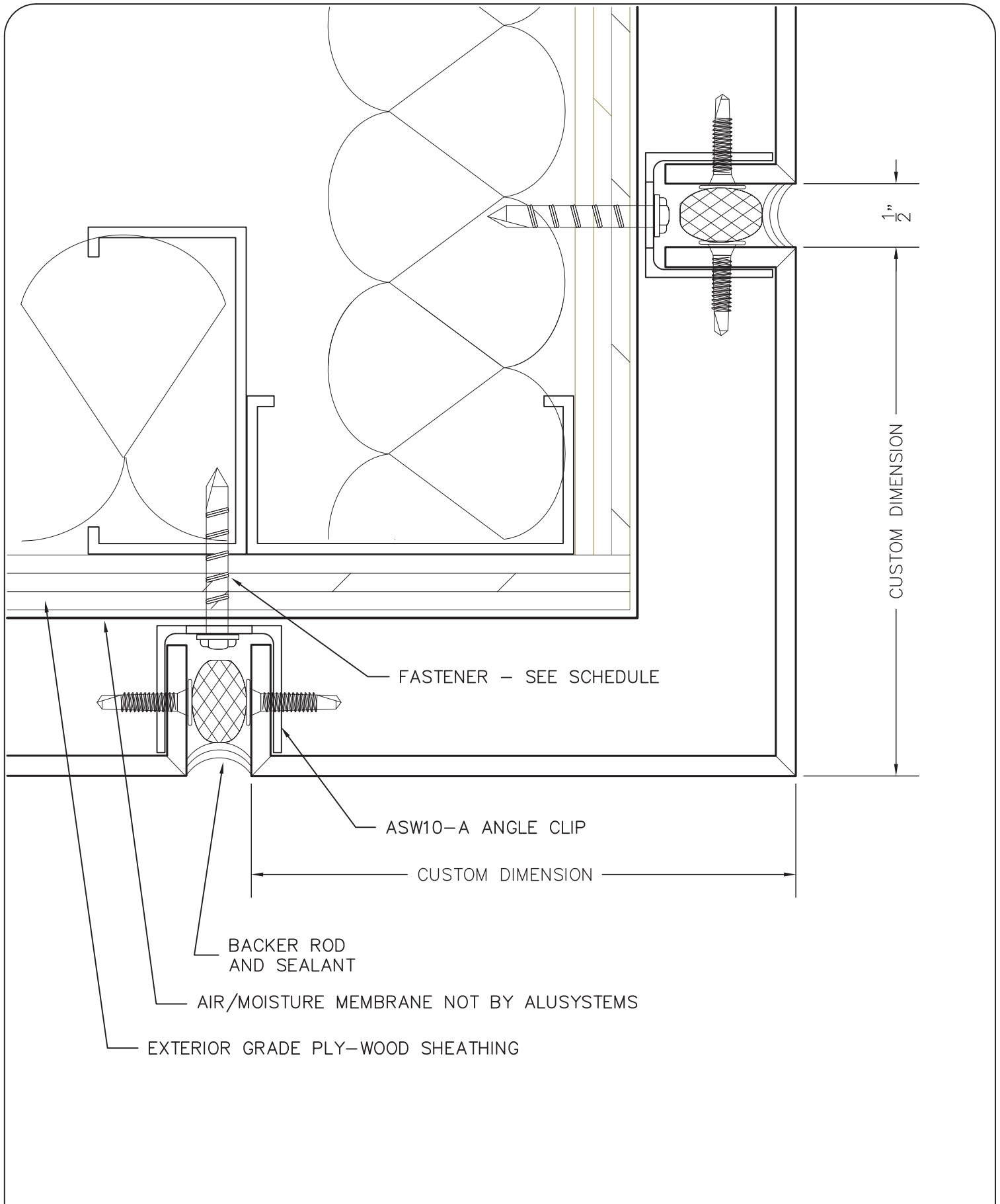
DATE:  
10/31/2012

TITLE:  
SYSTEM 10 WET SEAL - FOUNDATION/CURB DETAIL

DWG. NO.  
S10-02

SCALE:  
FULL SCALE

**ALUSYSTEMS**



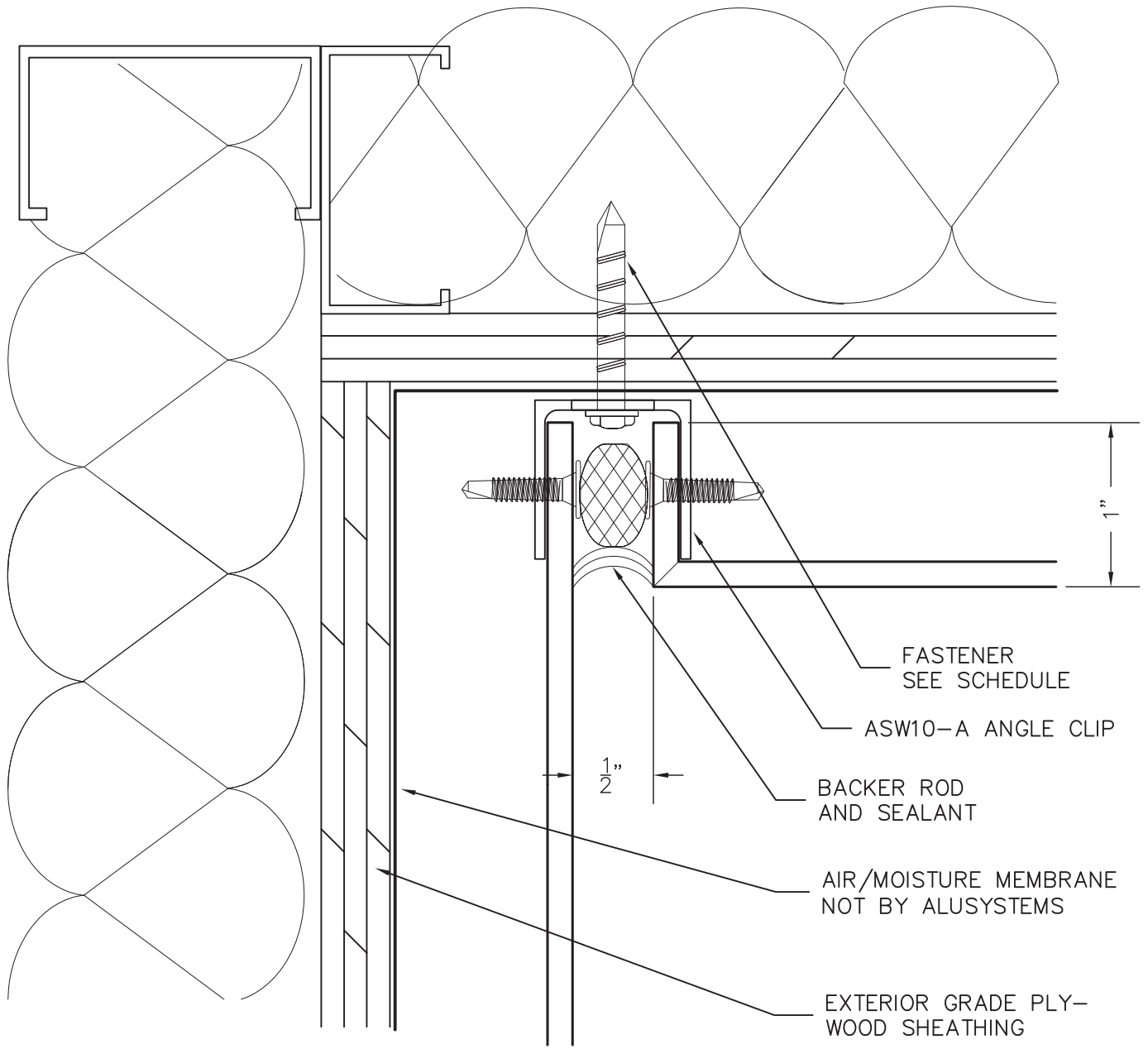
DATE:  
10/31/2012

TITLE:  
SYSTEM 10 WET SEAL - TYP. OUTSIDE CORNER DETAIL

DWG. NO.  
S10-03

SCALE:  
FULL SCALE

**ALUSYSTEMS**



DATE:  
10/31/2012

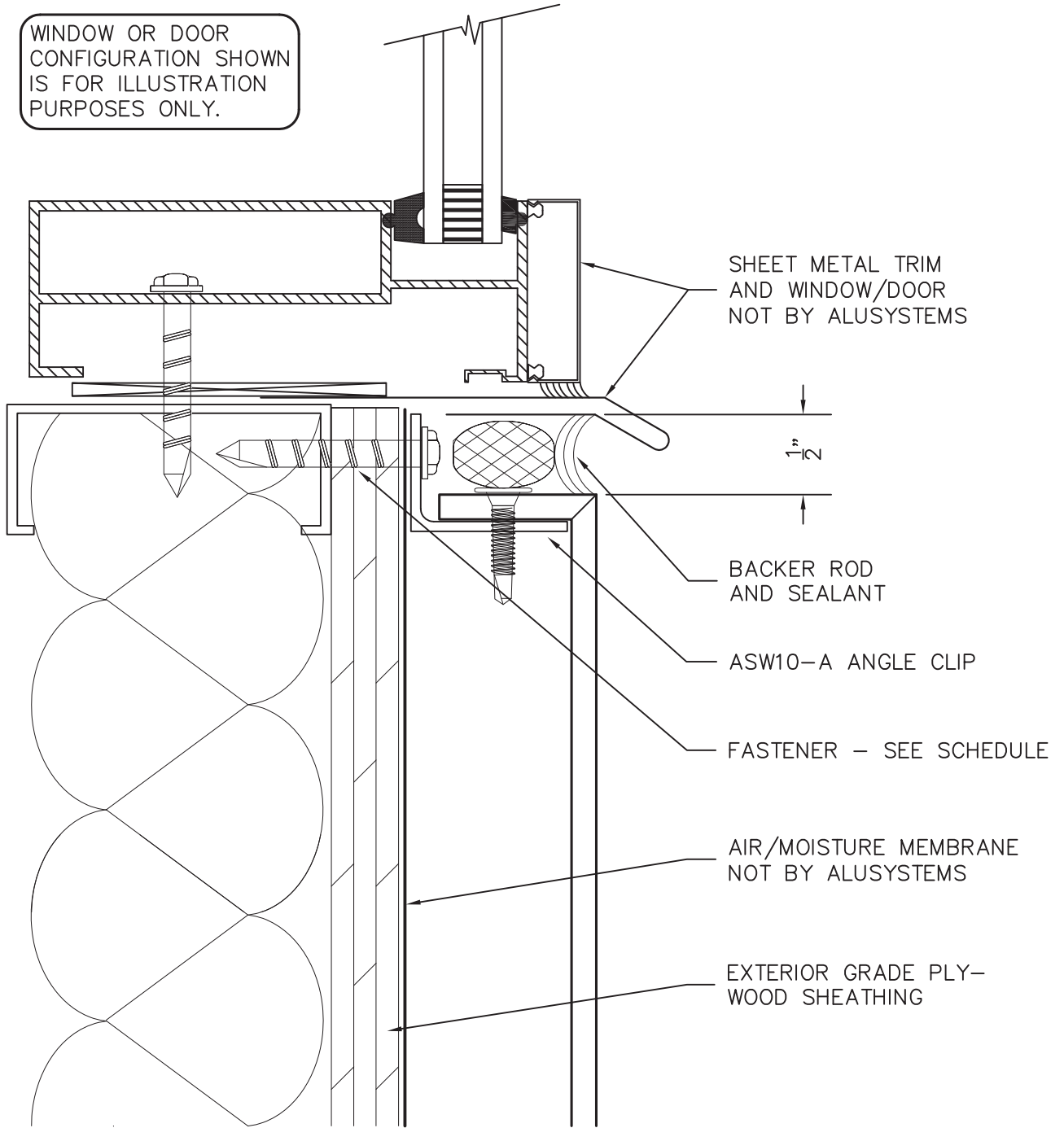
TITLE:  
SYSTEM 10 WET SEAL - TYP. INSIDE CORNER DETAIL

DWG. NO.  
S10-04

SCALE:  
FULL SCALE

**ALUSYSTEMS**

WINDOW OR DOOR  
CONFIGURATION SHOWN  
IS FOR ILLUSTRATION  
PURPOSES ONLY.



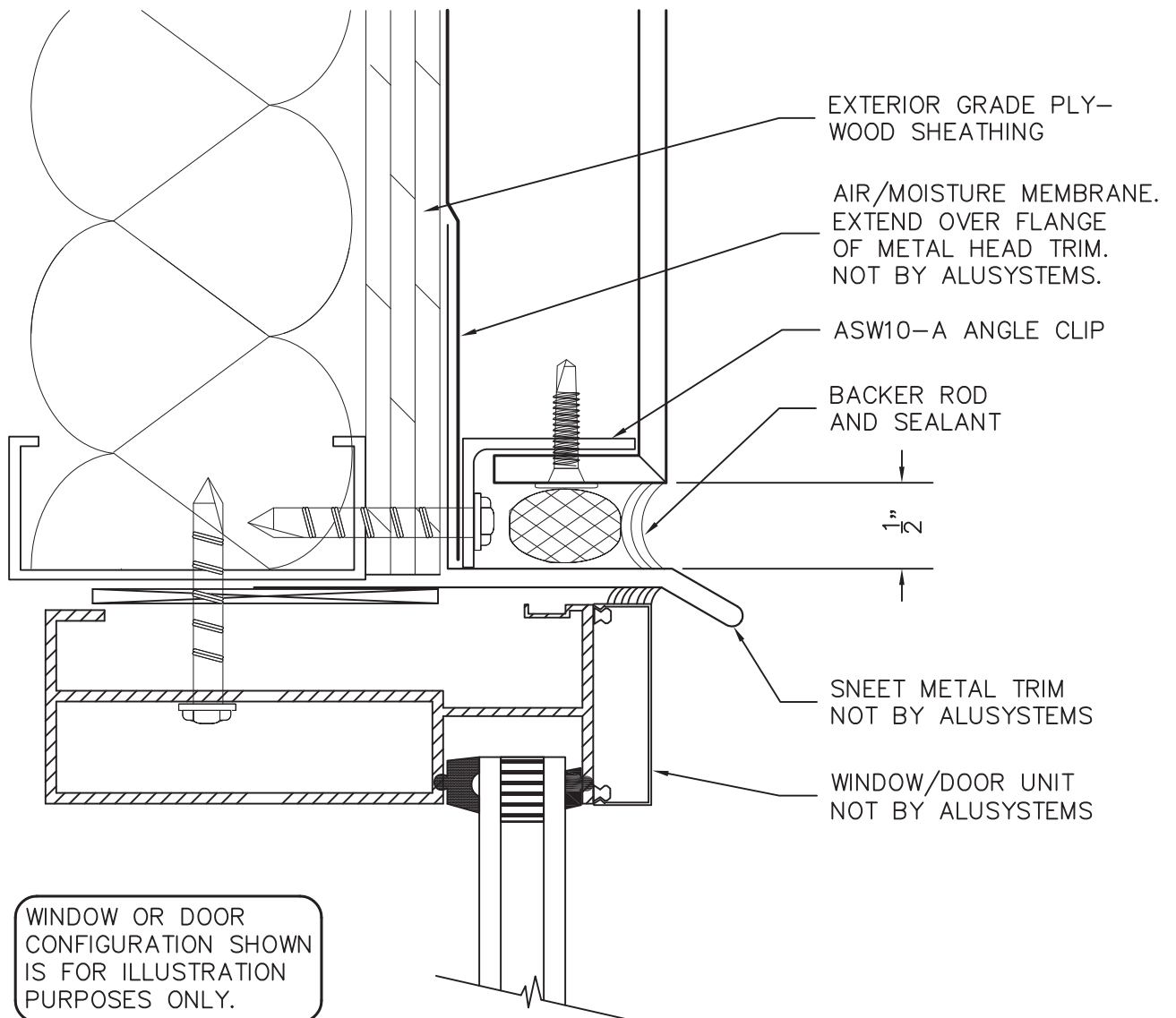
DATE:  
10/31/2012

TITLE:  
SYSTEM 10 WET SEAL - WINDOW/DOOR SILL DETAIL

DWG. NO.  
S10-05

SCALE:  
FULL SCALE

**ALUSYSTEMS**



DATE:  
10/31/2012

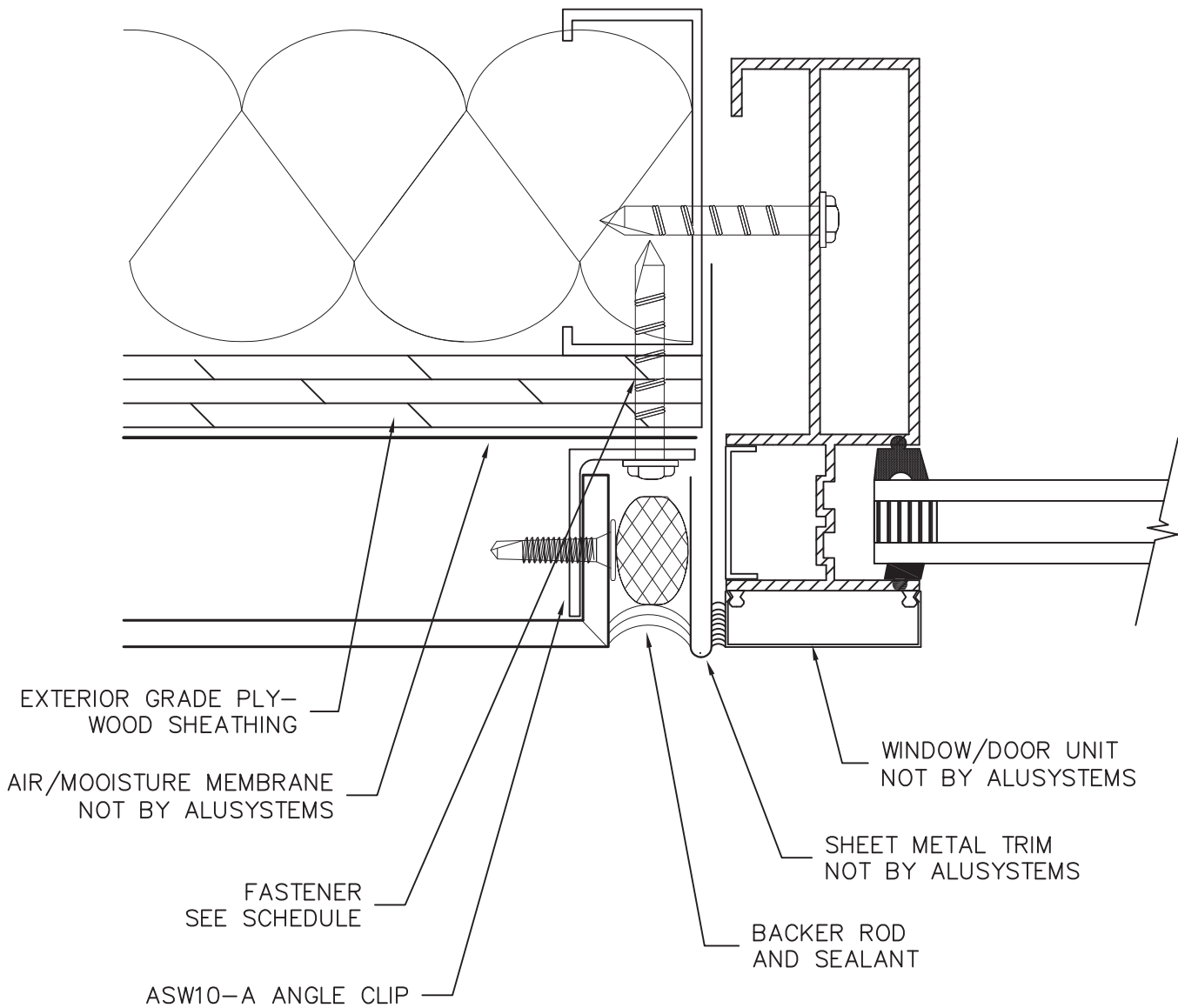
TITLE:  
SYSTEM 10 WET SEAL - WINDOW/DOOR HEAD DETAIL

DWG. NO.  
S10-06

SCALE:  
FULL SCALE

**ALUSYSTEMS**

WINDOW OR DOOR  
CONFIGURATION SHOWN  
IS FOR ILLUSTRATION  
PURPOSES ONLY.



DATE:  
10/31/2012

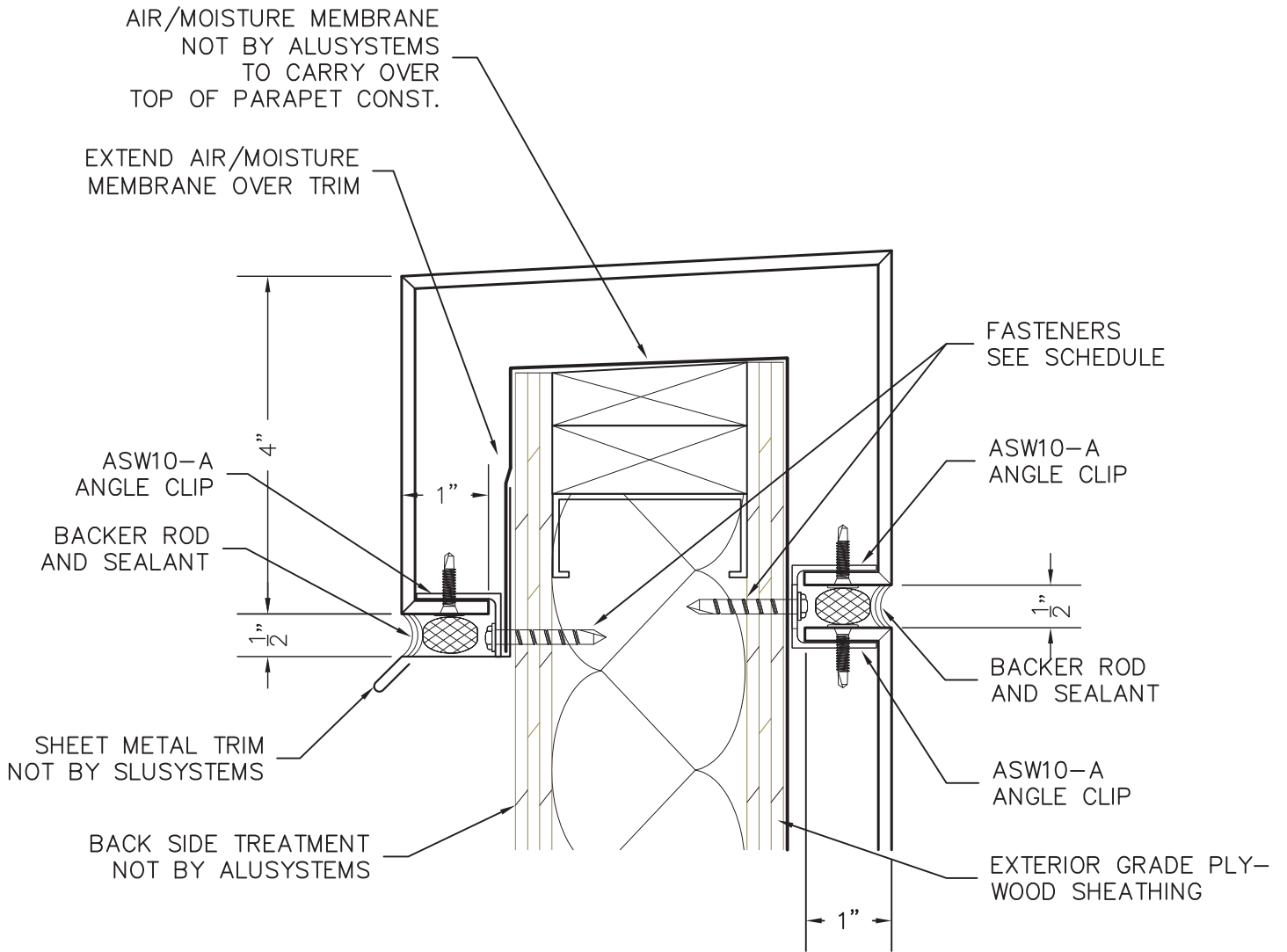
TITLE:  
SYSTEM 10 WET SEAL - WINDOW/DOOR JAMB DETAIL

DWG. NO.  
S10-07

SCALE:  
FULL SCALE

**ALUSYSTEMS**





DATE:  
10/31/2012

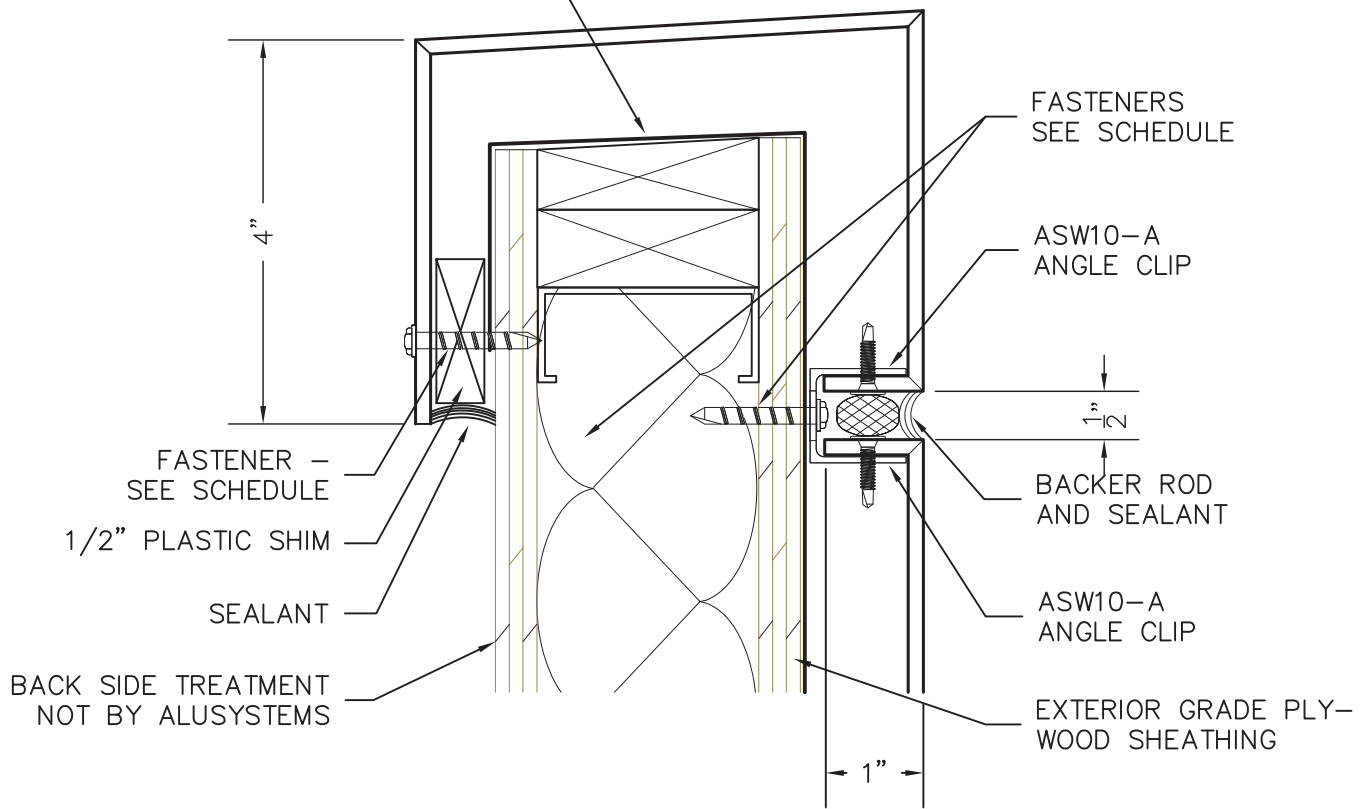
TITLE:  
SYSTEM 10 WET SEAL - STANDARD PARAPET DETAIL

DWG. NO.  
S10-08

SCALE:  
HALF SCALE

**ALUSYSTEMS**

AIR/MOISTURE MEMBRANE  
 NOT BY ALUSYSTEMS  
 TO CARRY OVER  
 TOP OF PARAPET CONST.



DATE:  
 10/31/2012

TITLE:  
 SYSTEM 10 WET SEAL - ALTERNATE PARAPET DETAIL

DWG. NO.  
 S10-08.1

SCALE:  
 HALF SCALE

**ALUSYSTEMS**